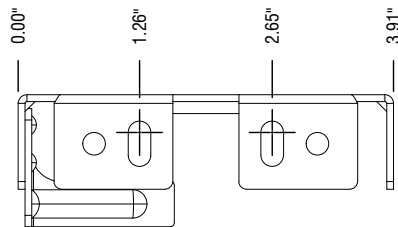
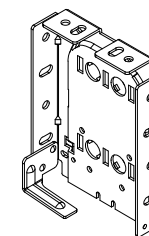


2

1



TOP



NOTES

MATERIAL:

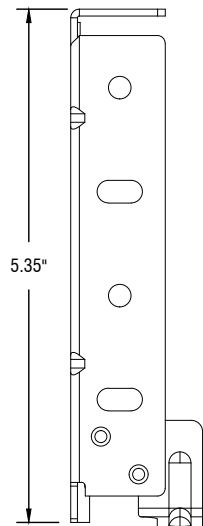
FINISH:

UNLESS OTHERWISE SPECIFIED:
DIMENSIONS ARE IN INCHES
TOLERANCES:
.X ± .1"
.XX ± .01"
.XXX ± .005"

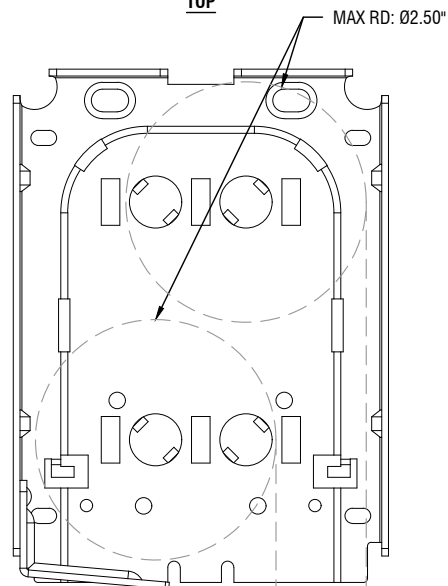
1. DEBURR AND SMOOTH ALL SHARP EDGES

B

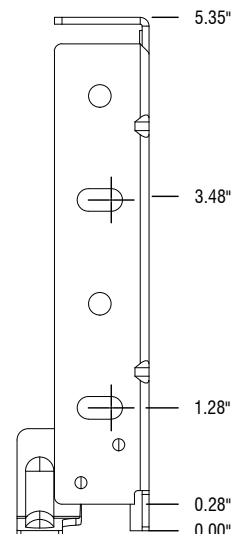
B



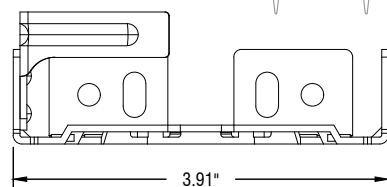
LEFT SIDE



IDLER PROFILE

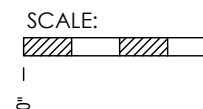


RIGHT SIDE



BOTTOM

MAX ROLL DIAMETER	
DUO SHADE	63.5mm (2.5")



A

A



ROLL A SHADE

12101 MADERA WAY. RIVERSIDE, CA. 92503
P: 951-245-5077 F: 951-245-5075
WWW.ROLLASHADE.COM

PROPRIETARY AND CONFIDENTIAL

© COPYRIGHT 2024 ROLL-A-SHADE, INC. ALL RIGHTS RESERVED. THIS DRAWING IS THE PROPERTY OF ROLL-A-SHADE, INC.. THE GRAPHICS, INFORMATION AND SPECIFIC IDEAS IN THIS DOCUMENT ARE THE EXCLUSIVE PROPERTY OF ROLL-A-SHADE, INC. AND MUST NOT BE MADE PUBLIC, COPIED OR SOLD. OTHERS SEEKING PERMISSION TO REPRODUCE THIS DOCUMENT, IN WHOLE OR IN PART, MUST OBTAIN PERMISSION FROM ROLL-A-SHADE, INC. IN WRITING.

REVISIONS

REV.	DATE	REVISION	NAME
A	04/21/2026	PUBLISHED	SM

TITLE:

5.5" SLIM RIGHT/LEFT CONTROL BRACKET SPECIFICATIONS

DWG. NO.

RAS-CUT-PLS5.5S-001

REV

A

WEIGHT: TBD

SHEET 1 OF 2

2

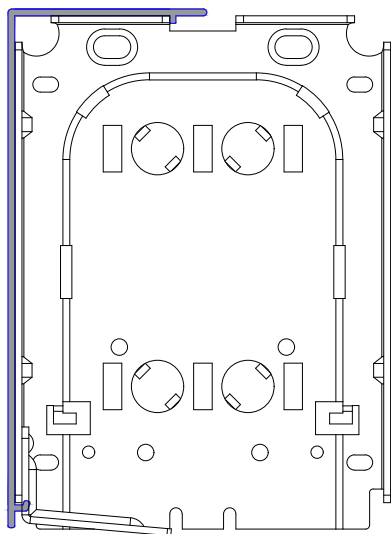
1

2

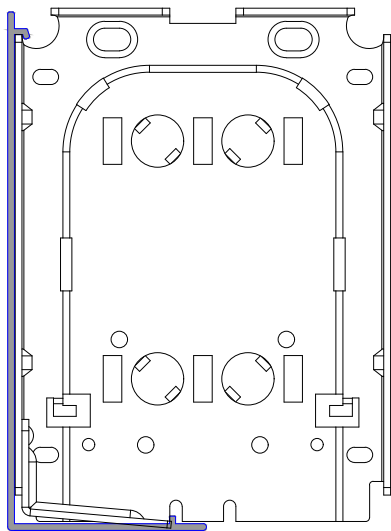
1

B

B



TOP FASCIA



BOTTOM FASCIA

NOTES

MATERIAL:

FINISH:

UNLESS OTHERWISE SPECIFIED:
DIMENSIONS ARE IN INCHES
TOLERANCES:
.X ± .1"
.XX ± .01"
.XXX ± .005"

1. DEBURR AND SMOOTH ALL SHARP EDGES

A

A



ROLL A SHADE

12101 MADERA WAY, RIVERSIDE, CA. 92503
P: 951-245-5077 F: 951-245-5075
WWW.ROLLASHADE.COM

PROPRIETARY AND CONFIDENTIAL

© COPYRIGHT 2024 ROLL-A-SHADE, INC. ALL RIGHTS RESERVED. THIS DRAWING IS THE PROPERTY OF ROLL-A-SHADE, INC.. THE GRAPHICS, INFORMATION AND SPECIFIC IDEAS IN THIS DOCUMENT ARE THE EXCLUSIVE PROPERTY OF ROLL-A-SHADE, INC. AND MUST NOT BE MADE PUBLIC, COPIED OR SOLD. OTHERS SEEKING PERMISSION TO REPRODUCE THIS DOCUMENT, IN WHOLE OR IN PART, MUST OBTAIN PERMISSION FROM ROLL-A-SHADE, INC. IN WRITING.

REVISIONS

REV.	DATE	REVISION	NAME
A	04/21/2026	PUBLISHED	SM

TITLE:
5.5" SLIM RIGHT/LEFT CONTROL BRACKET SPECIFICATIONS

DWG. NO.
RAS-CUT-PLS5.5S-001

REV
A

WEIGHT: TBD **SHEET 2 OF 2**

2

1